



ICE-Trade sro

International Conveyor Equipment & Trading

Mlynarska 3
SK - 902 03 Pezinok
Slovakia

Tel. + 421 948 222 891

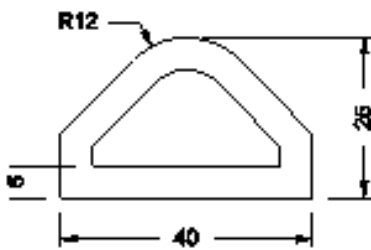
info@ice-trade.com

www.ice-trade.com

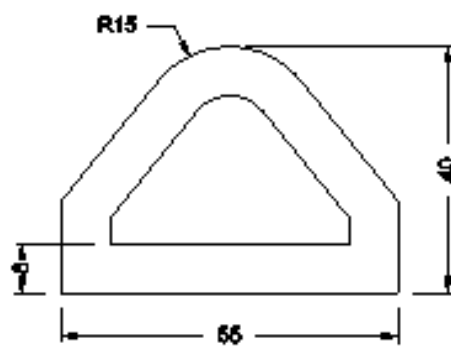
ICE-Trade ® Rubber Buffers

ICE-Trade Rubber Buffers are produced, in Europe, with high quality rubber.

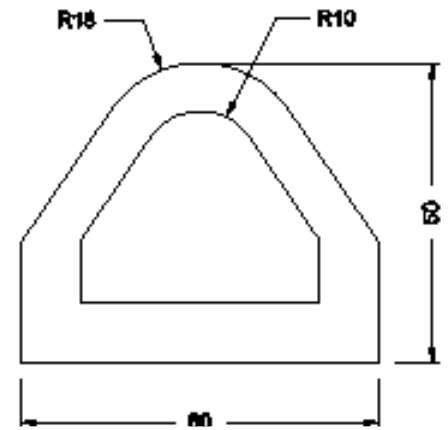
Type DS



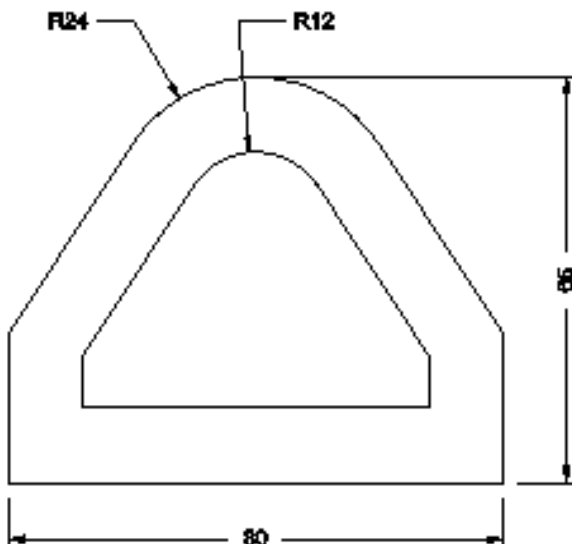
Type DS 40-25



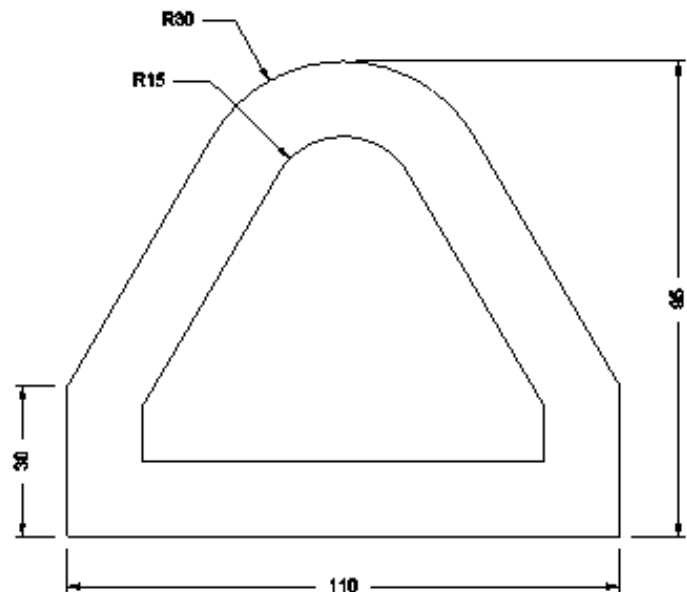
Type DS 55-40



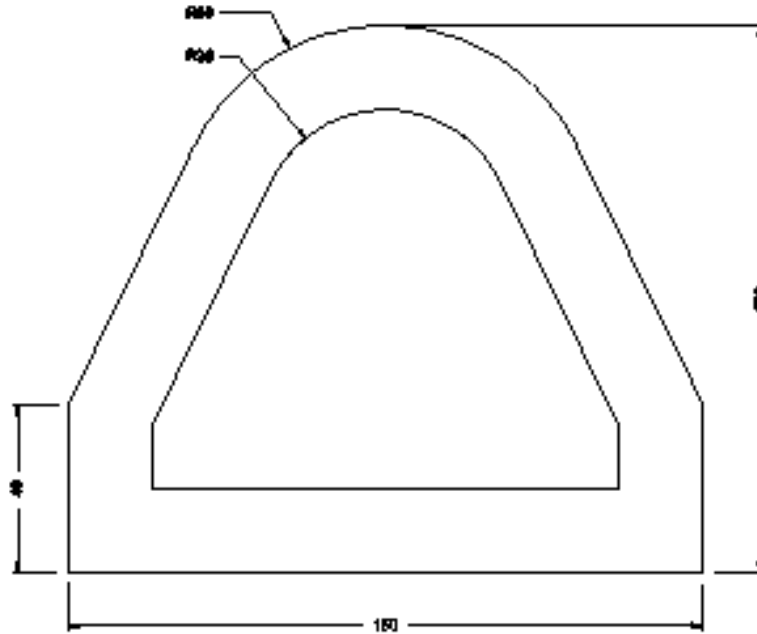
Type DS 60-50



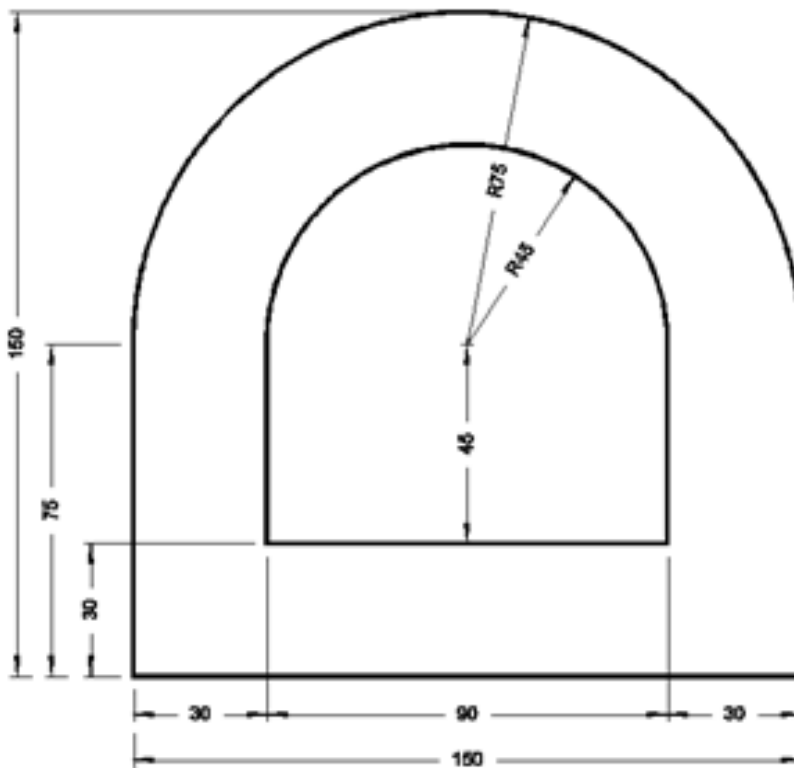
Type DS 80-65



Type DS 110-95



Type DS 150-130

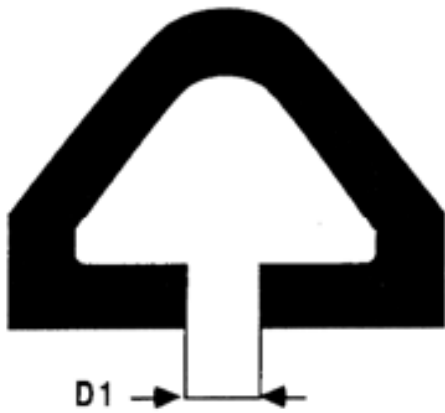


Type DS 150-150

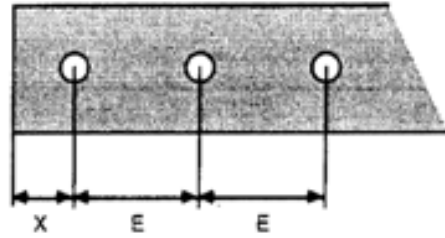
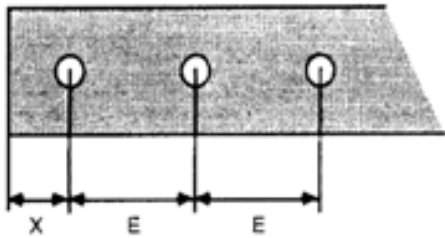
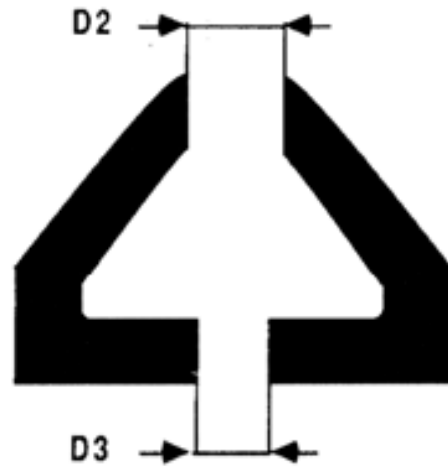
The DS buffers are in 5 m. lengths.

On request we can drill holes according following patterns :

Fixation A

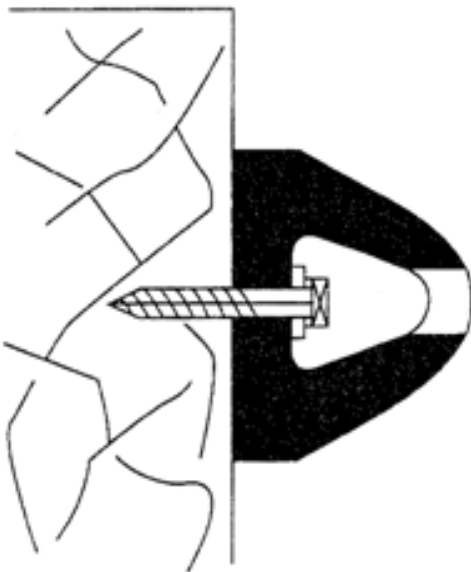


Fixation B

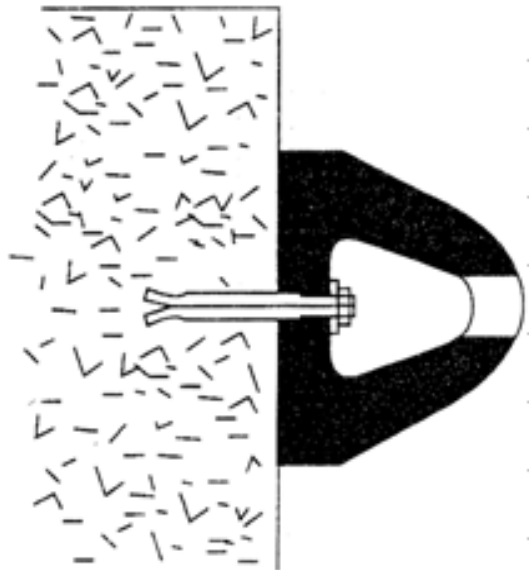


Type	D1	X	E	D2	D3	X	E
DS 60-50	12	30	275	12	7	30	275
DS 80-65	18	30	300	15	9	30	300
DS 80-90	26	40	325	21	13	40	325
DS 110-95	26	40	325	21	13	50	350
DS 150-130	28	50	350	24	15	50	350

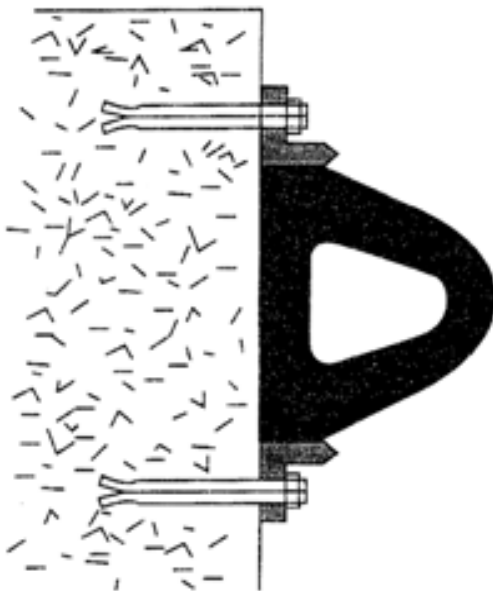
Installation examples :



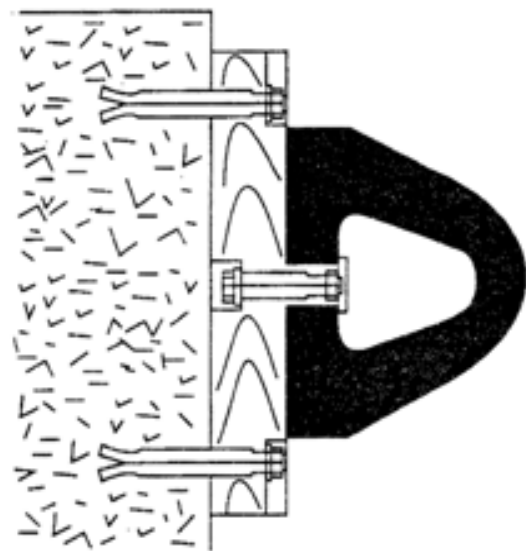
Vise installation with holes



Installation on concrete



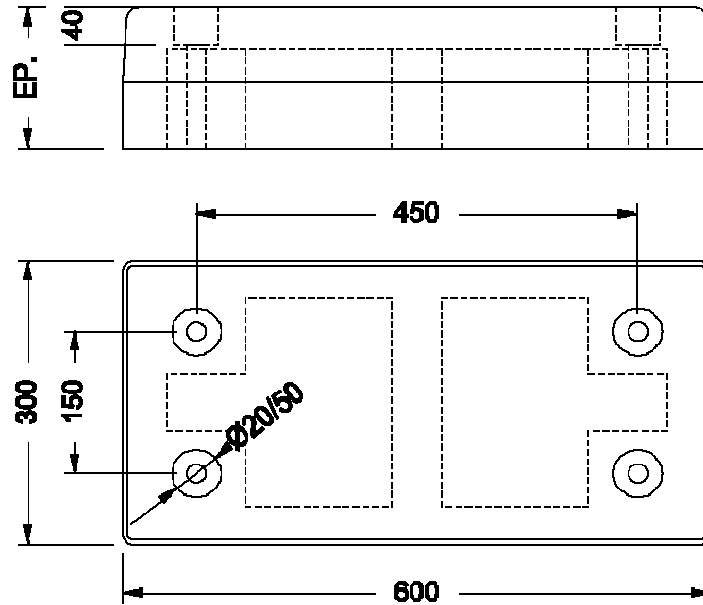
Installation without holes



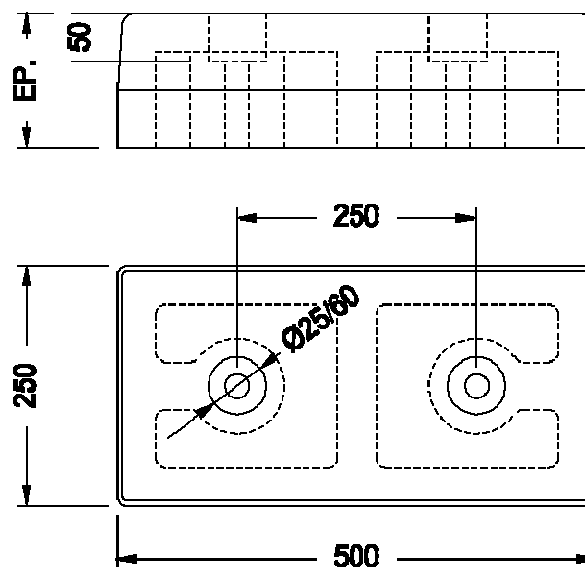
Installation on concrete / wood

ICE-Trade Rubber Buffer Blocks

The rubber buffer blocks are reinforced with textile for a higher impact resistance. The blocks can also be made according the specs and sizes of the customer.



Type BB 600 x 300 x thickness, with 4 holes for installation



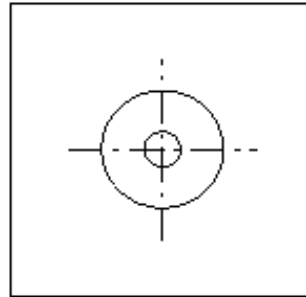
Type BB 500 x 250 x thickness, with 2 holes for installation

Available thickness : 80, 100, 120 and 150 mm.

Rubber Buffer Blocks, made to size :

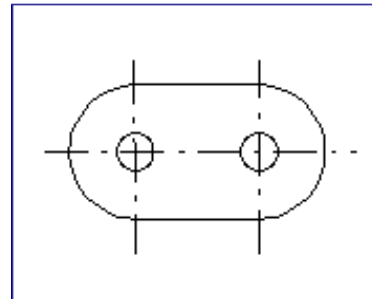
With a single hole, please specify :

- length
- width
- thickness
- hole D x .. & d
- sizes in mm

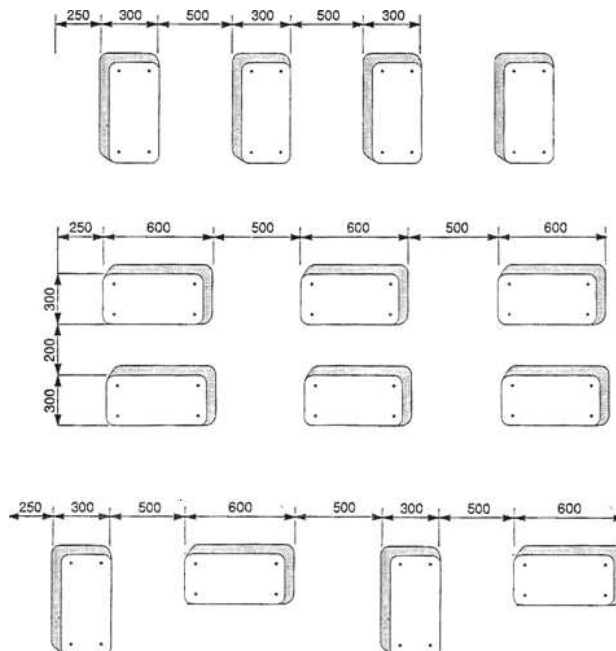


With a double hole, please specify :

- length
- width
- thickness
- holes D x .. & d
- pitch of the holes
- sizes in mm



Installation examples



For more information, please contact us.