

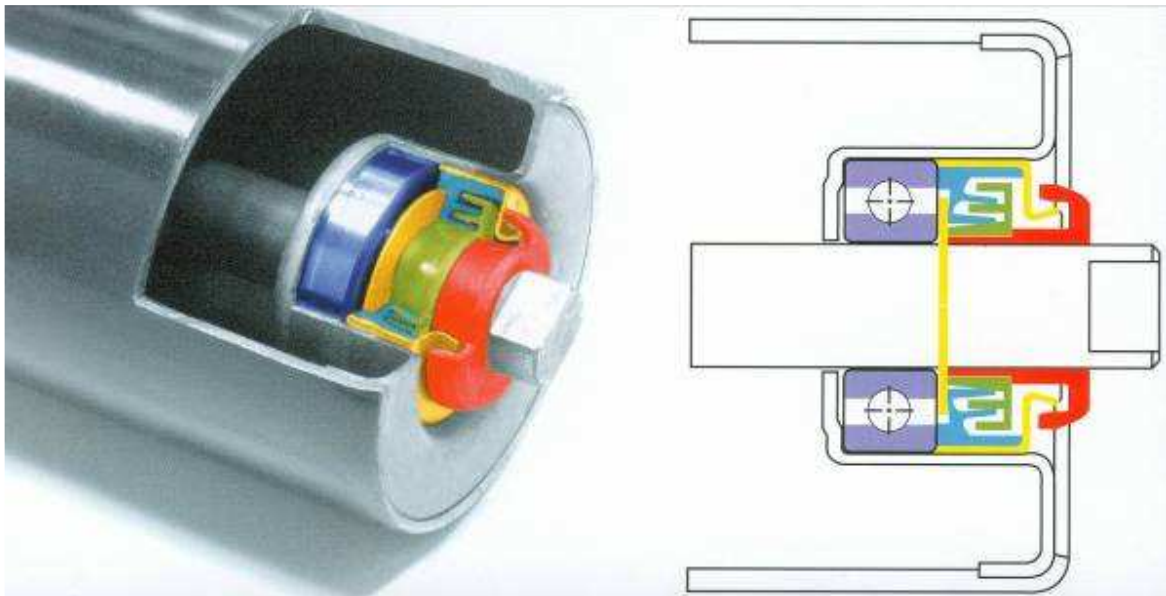


**ICE-Trade s.a.**  
International Conveyor Equipment & Trading

Passage de la Poste 3 – 2  
B – 7700 Mouscron  
Belgium

Tel. + 32.56.48 18 80  
Fax + 32.56.48 18 88  
[info@ice-trade.com](mailto:info@ice-trade.com)  
[www.ice-trade.com](http://www.ice-trade.com)

## ICE-Trade ® Rollers



A production of over 1 million rollers per year according international standards as DIN and ISO.

The rollers are fitted with a double labyrinth and a special spray water deflector, to protect the bearings against external influences.

On request the rollers are fitted with 2RS bearings, to achieve a longer lifetime for the rollers.

Axle and tube material are produced according the DIN standard.

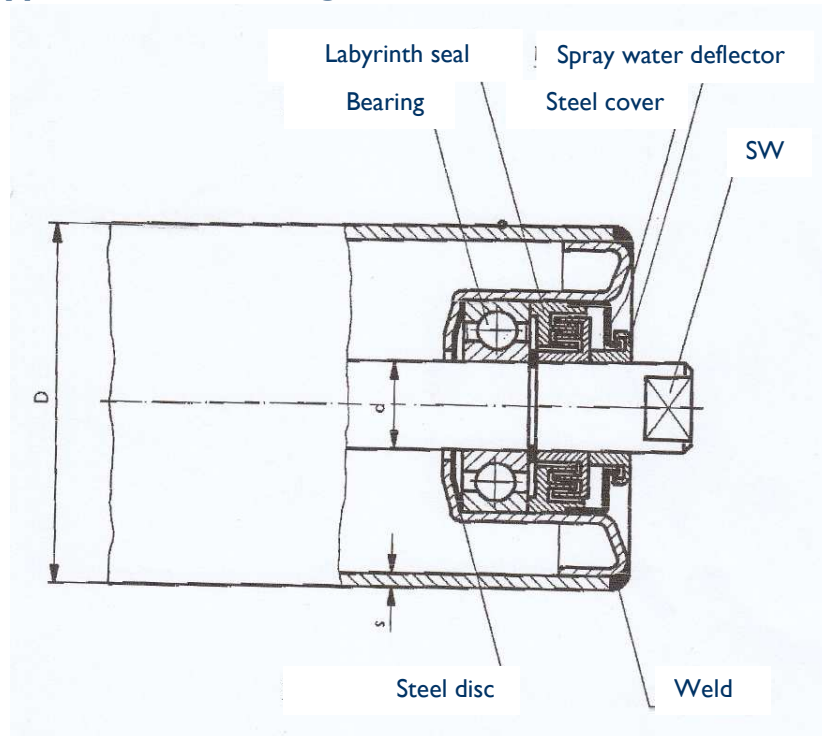
Standard the rollers are painted with an anti rust coating.  
The rollers can have a powder coating on request.



**ICE-Trade s.a.**  
International Conveyor Equipment & Trading

Tel. + 32.56.48 18 80  
Fax + 32.56.48 18 88  
[info@ice-trade.com](mailto:info@ice-trade.com)  
[www.ice-trade.com](http://www.ice-trade.com)

## Rollers type MSP, according DIN I 5207



### Construction of the MSP rollers

- precision roller tube
- bearing housing welded
- calibrated bearing seat
- precision bearings
- steel disc behind the bearing
- labyrinth seal
- steel cover with spray water deflector
- maintenance free

### Tube and axle dimensions

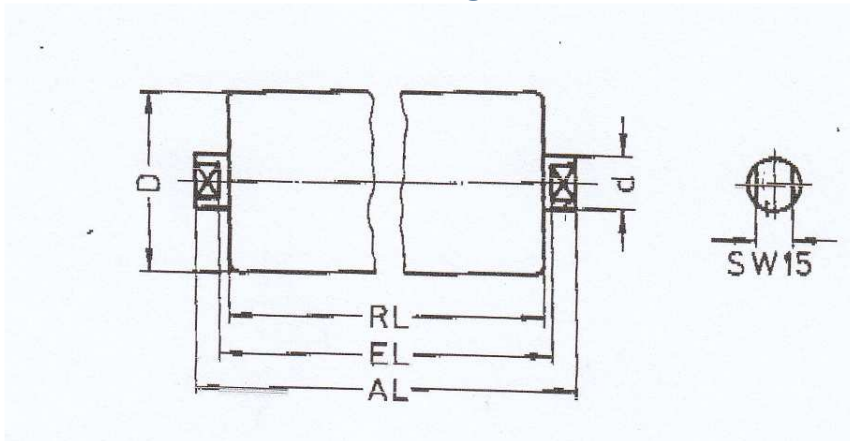
<b>D</b>	51	63,5	80	88,9	108	133	159
<b>d</b>	20	20	20	20/25/30	20/25/30	20/25/30	20/25/30
<b>s</b>	3,2	2,9	2,0	2,9	3,2	4,0	4,5



**ICE-Trade s.a.**  
International Conveyor Equipment & Trading

Tel. + 32.56.48 18 80  
Fax + 32.56.48 18 88  
[info@ice-trade.com](mailto:info@ice-trade.com)  
[www.ice-trade.com](http://www.ice-trade.com)

### Roller dimensions according DIN 15207



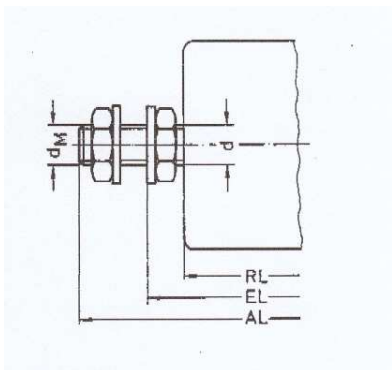
#### Top rollers belt width

2 trough	3 trough	RL	EL	AL
	400	165	171	191
300	500	200	206	226
400	650	250	256	276
500	800	315	321	341
650	1000	380	386	406
800	1200	465	471	491

#### Bottom rollers

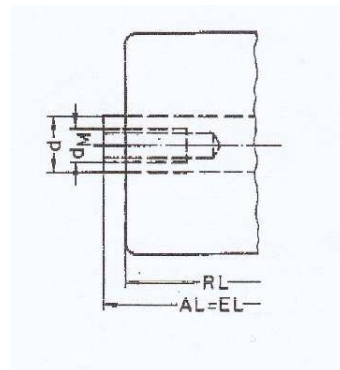
belt width	RL	EL	AL
300	400	406	432
400	500	506	532
500	600	606	632
650	750	756	782
800	950	956	982
1000	1150	1156	1182
1200	1400	1406	1432

### Rollers with outside or inner wire, special production !



#### Wire length

d/dM	M10	M12	M16	M20	M24	M30
20	28	30	35	40	-	-
25	-	-	35	40	50	-
30	-	-	-	40	50	60



#### Wire dept

d/dM	M10	M12	M16	M20
20	28	30	-	-
25	-	30	35	-
30	-	-	35	40

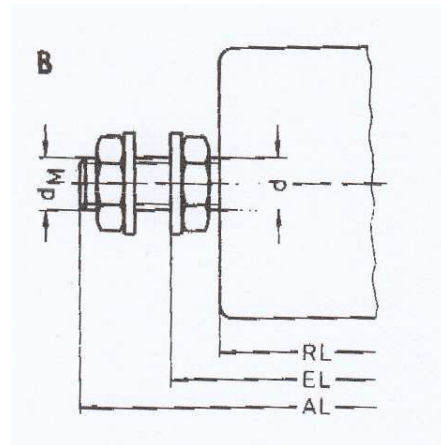
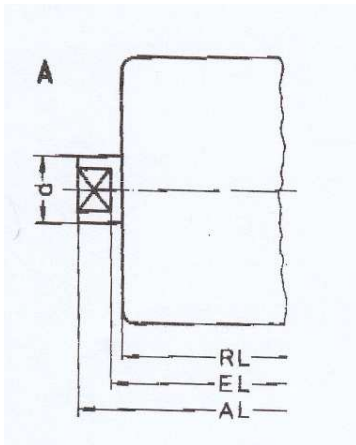


**ICE-Trade s.a.**  
International Conveyor Equipment & Trading

Tel. + 32.56.48 18 80  
Fax + 32.56.48 18 88  
[info@ice-trade.com](mailto:info@ice-trade.com)  
[www.ice-trade.com](http://www.ice-trade.com)

## Axle executions

Axles according A are standard axles (on stock). Others are produced according specs.

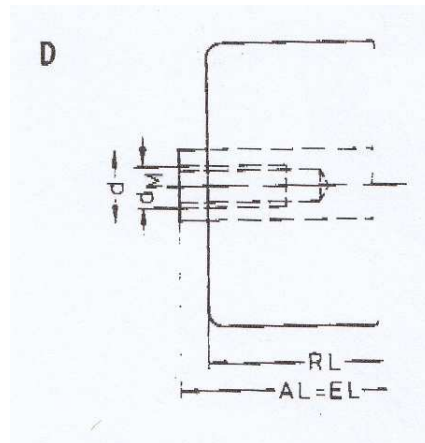
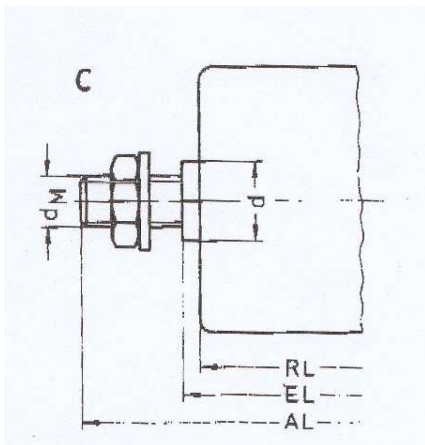


### Key width (SW)

<b>d</b>	20	25	30
<b>SW</b>	14/15	18	22

### Wire length

<b>d/dM</b>	M10	M12	M16	M20	M24	M30
20	28	30	35	40	-	-
25	-	-	35	40	50	-
30	-	-	-	40	50	60



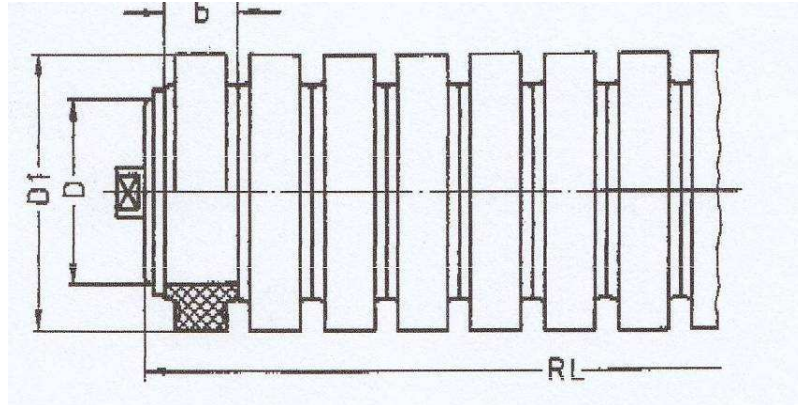
### Wire length

<b>d/dM</b>	M10	M12	M16	M20	M24	M30
20	20	25	30	30	-	-
25	-	-	30	30	35	-
30	-	-	-	30	35	40

### Wire dept

<b>d/dM</b>	M10	M12	M16	M20
20	28	30	-	-
25	-	30	35	-
30	-	-	35	40

### Buffer rings

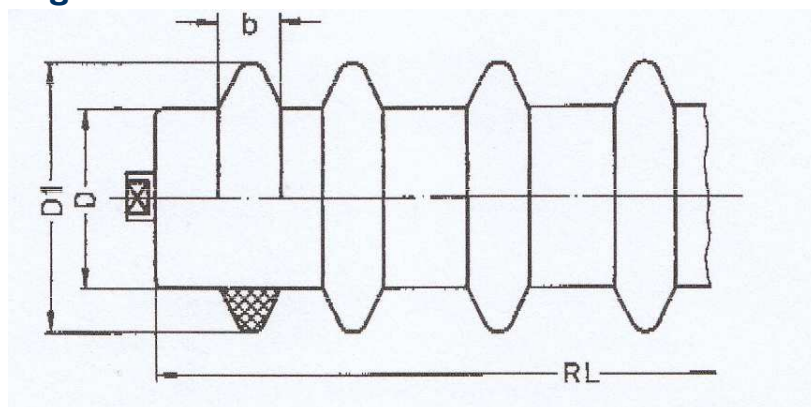


**Buffer rings per roller**

d	DI	B
63,5	88,9	25
63,5	108	30
88,9	133	35
88,9	159	35
108	159	40

RL/b	25	30	35	40
200	7	6	5	4
250	9	8	7	6
315	12	10	8	7
380	15	12	10	9
465	18	15	12	11

### Support rings



**Support rings per roller**

d	DI	B
63,5	108	25
88,9	133	30
108	159	35

B W	number
400	5
500	6
650	7
800	8
1000	9
1200	10

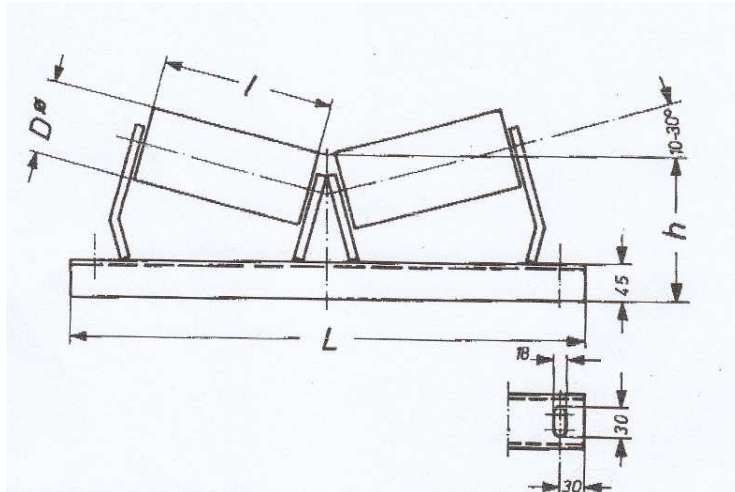
Other configurations and dimensions of the rubber rings are available upon request !



**ICE-Trade s.a.**  
International Conveyor Equipment & Trading

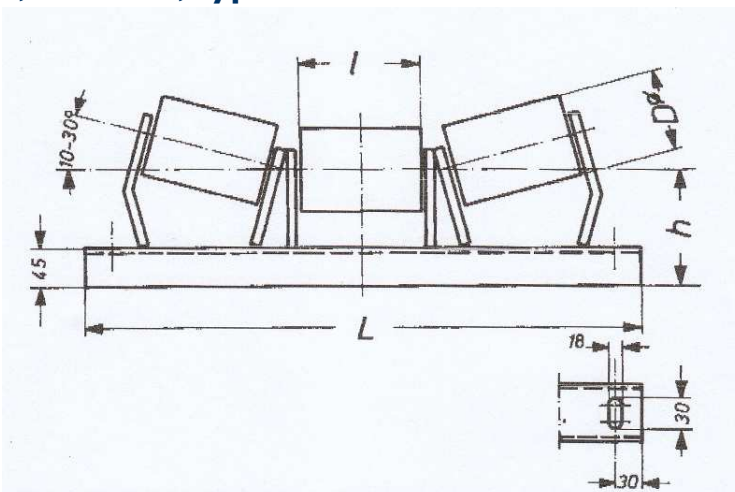
Tel. + 32.56.48 18 80  
Fax + 32.56.48 18 88  
[info@ice-trade.com](mailto:info@ice-trade.com)  
[www.ice-trade.com](http://www.ice-trade.com)

### Trough unit, 2 rollers, type 62/80/100



Belt width	L	h	D	l
300	600	178	63,5/80/89	200
400	700	178	63,5/80/89	250
500	800	178	63,5/80/89	315
650	950	178	80/89	380

### Trough unit, 3 rollers, type 62/80/100



Belt width	L	h	D	l
400	700	125	63,5/80/89/108	165
500	800	125	63,5/80/89/108	200
650	950	125	63,5/80/89/108	250
800	1150	125	63,5/80/89/108	315
1000	1350	125	80/89/108	380

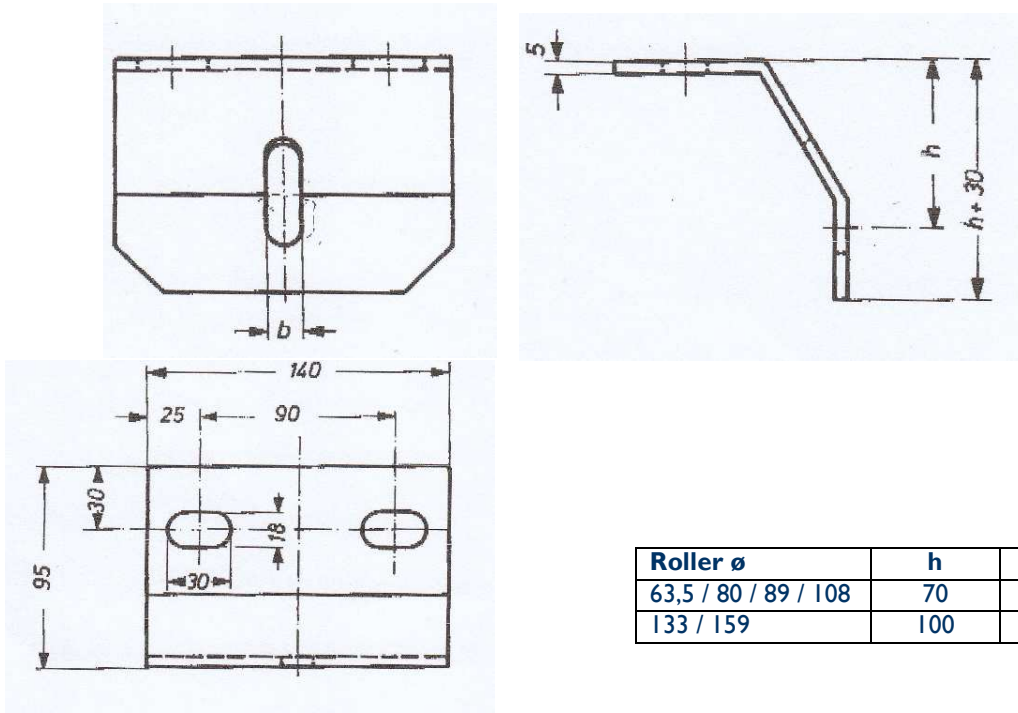
Other dimensions are available on request. Trough units are galvanized or painted with anti rust paint.



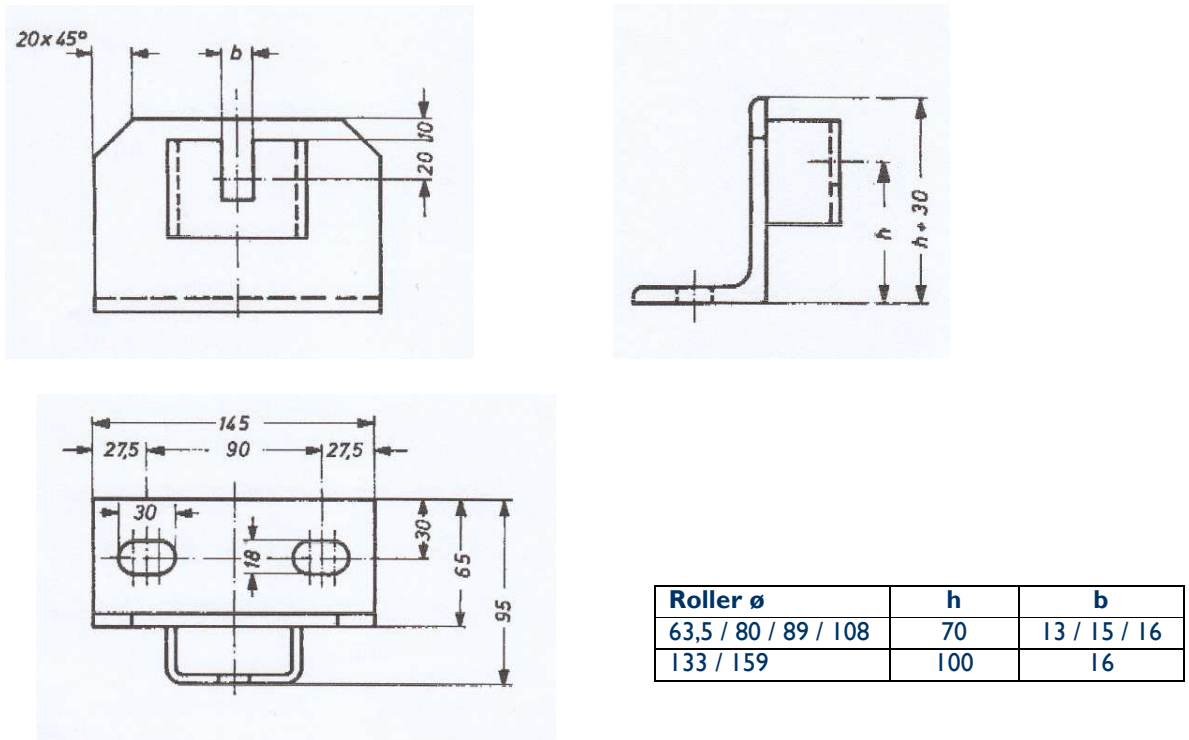
**ICE-Trade s.a.**  
International Conveyor Equipment & Trading

Tel. + 32.56.48 18 80  
Fax + 32.56.48 18 88  
[info@ice-trade.com](mailto:info@ice-trade.com)  
[www.ice-trade.com](http://www.ice-trade.com)

### Return roller holders



### Flat belt holders

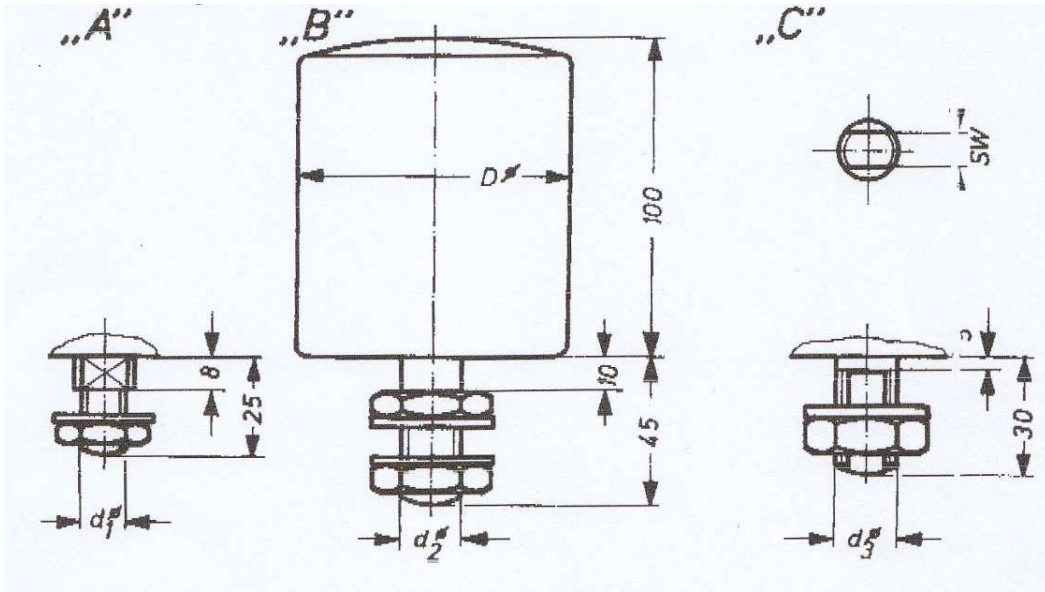




**ICE-Trade s.a.**  
International Conveyor Equipment & Trading

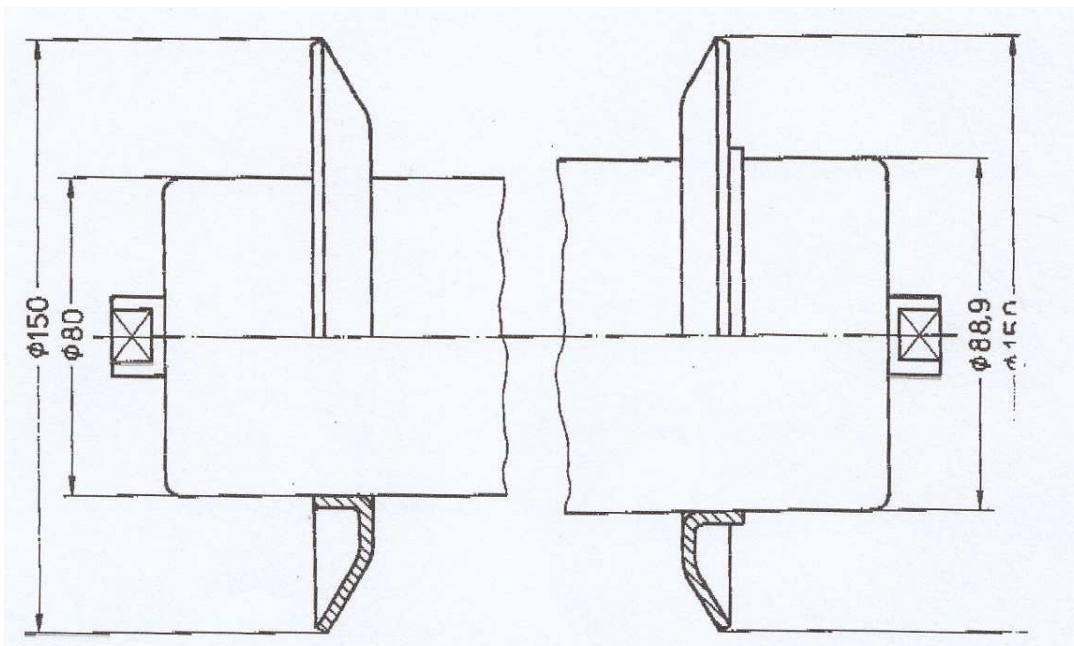
Tel. + 32.56.48 18 80  
Fax + 32.56.48 18 88  
[info@ice-trade.com](mailto:info@ice-trade.com)  
[www.ice-trade.com](http://www.ice-trade.com)

### Side guide rollers



Roller type	D	d1	d2	d3	SW
GST	63,5	M16	M20	M20	15
GST	80	M16	M20	M20	15
GST	89	M16	M20	M20	15

### Guide discs



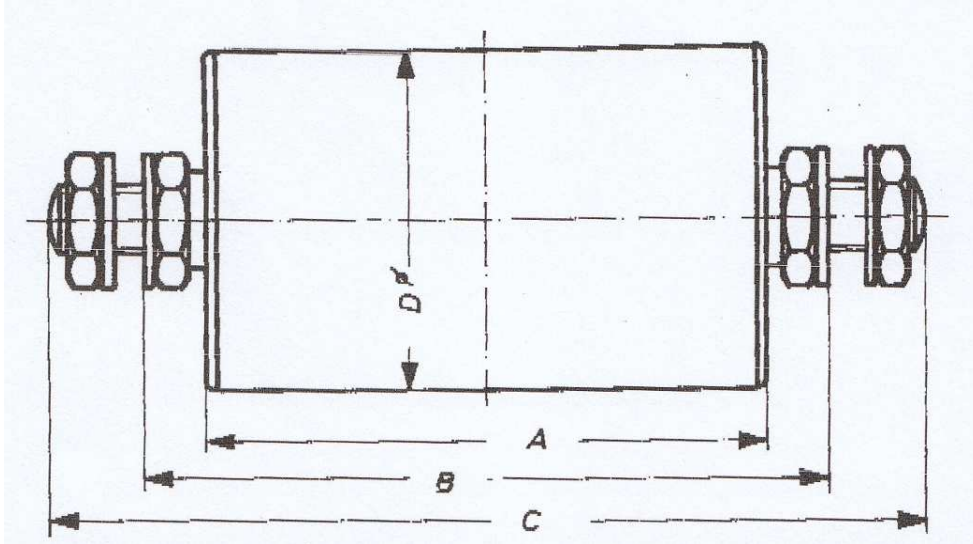
Material steel



**ICE-Trade s.a.**  
International Conveyor Equipment & Trading

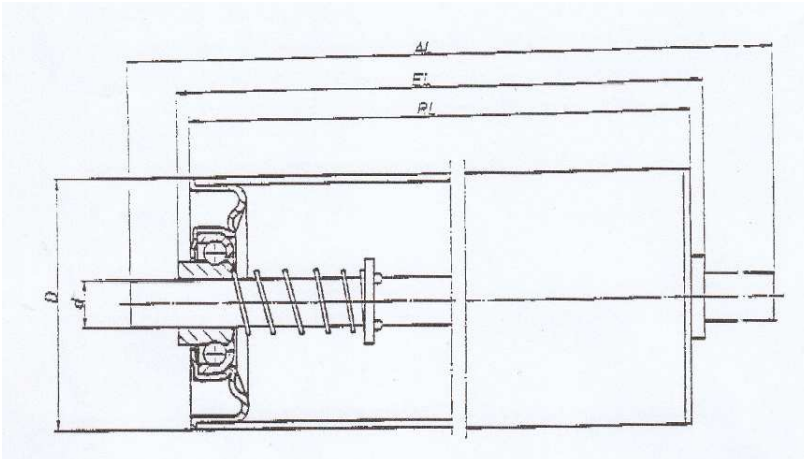
Tel. + 32.56.48 18 80  
Fax + 32.56.48 18 88  
[info@ice-trade.com](mailto:info@ice-trade.com)  
[www.ice-trade.com](http://www.ice-trade.com)

### Roller type LA



Tube ø	Axle ø	A	B	C
50 or 60	M10 M12 M14	100	123	180
		150	173	230
		200	223	280
		250	273	330
		300	323	380
		350	373	430
		400	423	480
		450	473	530
		500	523	580
		550	573	630
		600	623	680
		700	723	780
800	823	880		

### Roller type LD



Roller type LD, steel tube, galvanized, ø 50 mm.  
Axle ø 8, 10 of 12 mm.  
conic bearings, maintenance free.



**ICE-Trade s.a.**  
International Conveyor Equipment & Trading

Tel. + 32.56.48 18 80  
Fax + 32.56.48 18 88  
[info@ice-trade.com](mailto:info@ice-trade.com)  
[www.ice-trade.com](http://www.ice-trade.com)



Rollers type LD in divers finishes

Production of PE rollers



## Mecaflex rollers



Mecaflex garlands are specially developed for the malt industry: high degree of humidity, much dust, low belt speed and occasionally running.

No bearings, the balls are made from graphite, in the dimensions 68 and 93 mm. End clamps and cable : stainless steel (304)

Please do not hesitate to contact us if you need further information,